



6N135/6N136 – High Speed 1MBd Optocouplers

Aug 2008

FEATURES

- * High speed – 1MBd
- * CTR guarantee - 0 ~ 70°C
- * Instantaneous common mode rejection – 1KV/μs
- * UL, CSA, IEC/EN/DIN EN60747-5-2 – Pending
- * Dual-in-line package - 6N135 / 6N136
- * Wide lead spacing package - 6N135M / 6N136M
- * Surface mounting package - 6N135S / 6N136S
- * Tape and reel packaging - 6N135S-TA / 6N136S-TA, 6N135S-TA1 / 6N136S-TA1

APPLICATIONS

- * High Voltage Isolation
- * Line receivers
- * Feedback Element in Switching Mode Power Supplier
- * High Speed Logic Ground Isolation – TTL/TTL, TTL/CMOS, TTL/LSTTL

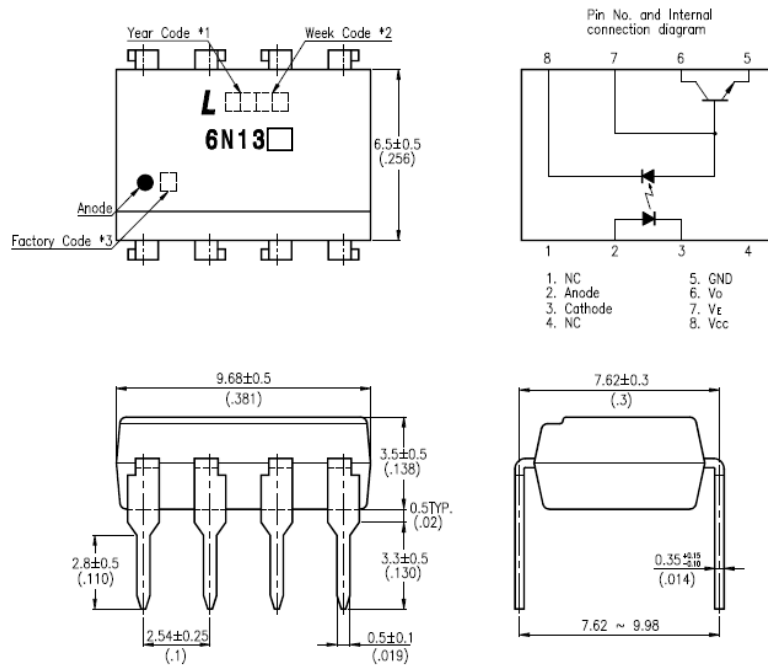
DESCRIPTION

These diode-transistor photocouplers consist of an AlGaAs LED optically coupled to high speed photodetector transistor.

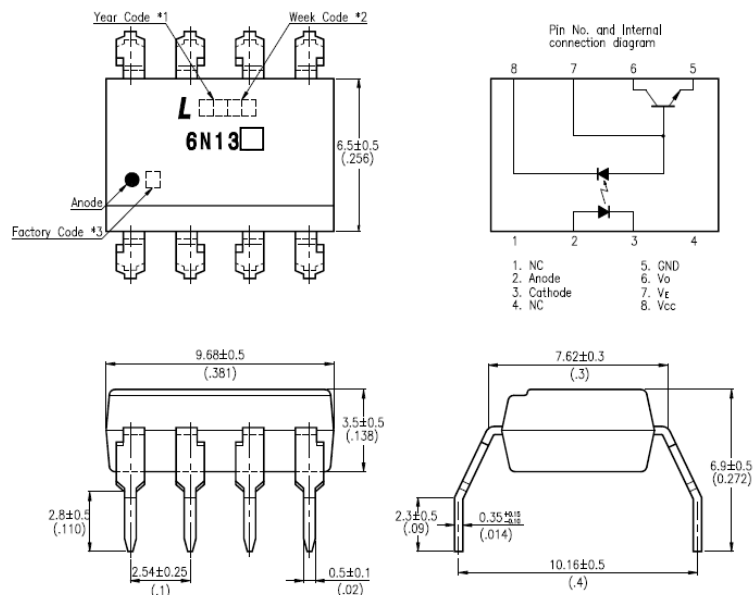
Separate connections for the bias of the photodiode bias and output transistor collector increase the speed up to several times that of a conventional phototransistor photocouplers by reducing the capacitance of base-collector.

OUTLINE DIMENSIONS

6N135 / 6N136



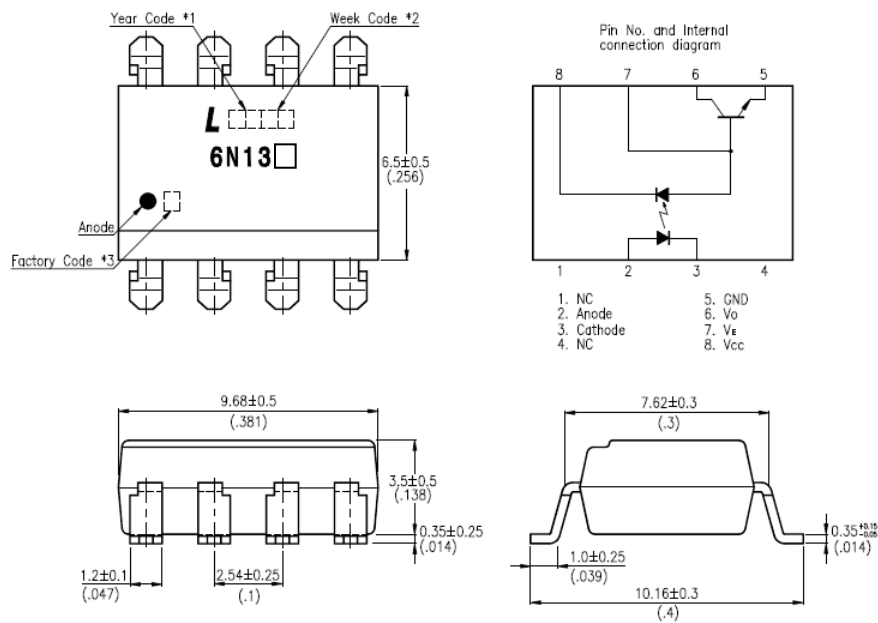
6N135M / 6N136M



- *1. Year date code.
- *2. 2-digit work week.
- *3. Factory identification mark shall be marked (Z : Taiwan, Y : Thailand).

OUTLINE DIMENSIONS

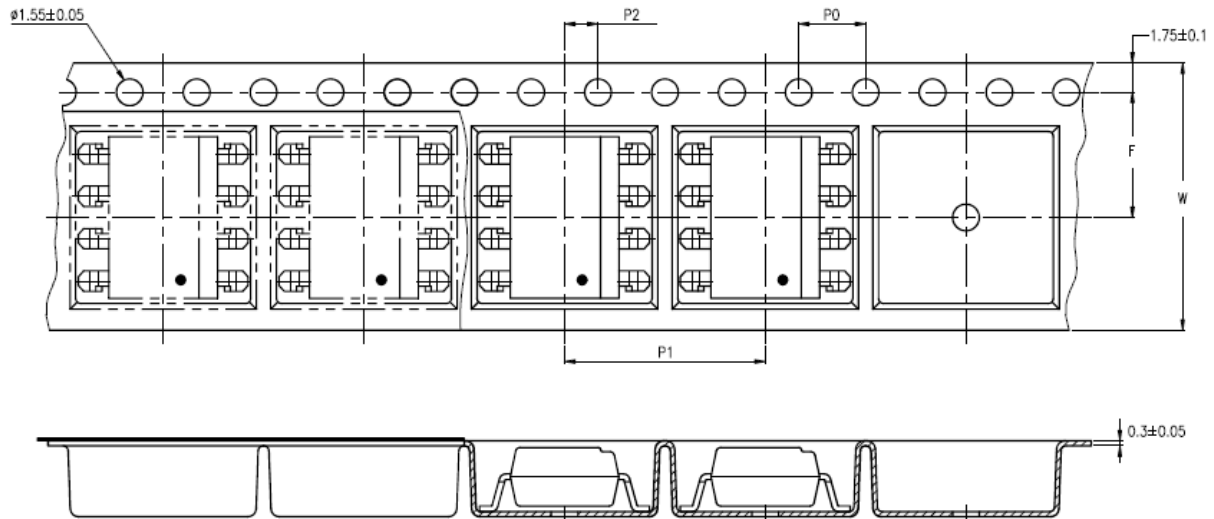
6N135S / 6N136S



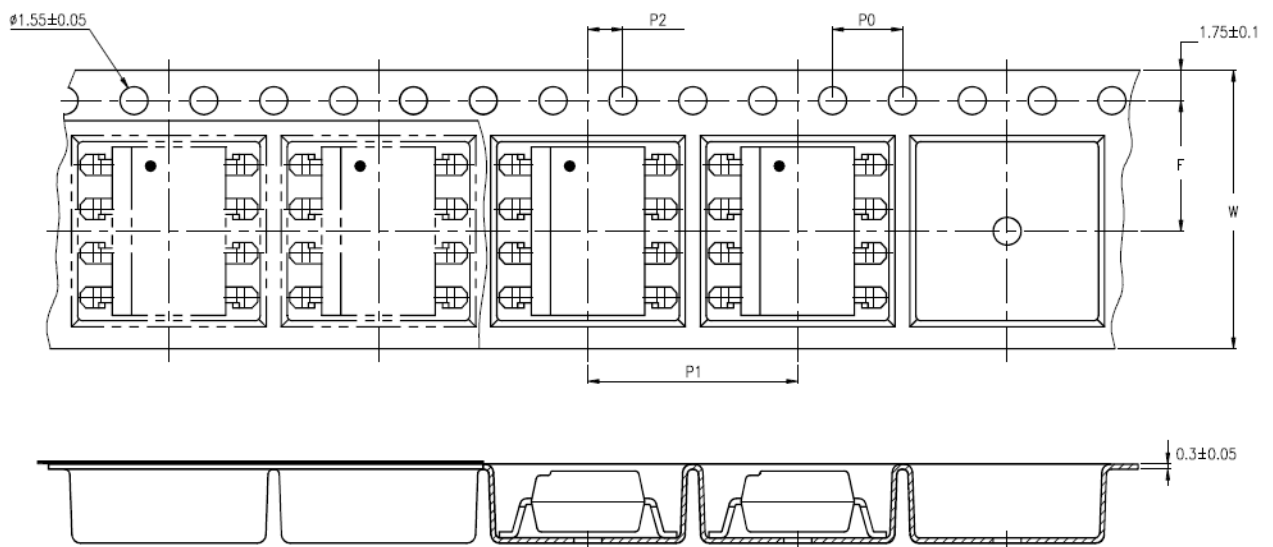
- *1. Year date code.
- *2. 2-digit work week.
- *3. Factory identification mark shall be marked (Z : Taiwan, Y : Thailand).

TAPING DIMENSIONS

6N135S-TA / 6N136S-TA



6N135S-TA1 / 6N136S-TA1



Description	Symbol	Dimensions in mm (inches)
Tape wide	W	16 ± 0.3 (.63)
Pitch of sprocket holes	P_0	4 ± 0.1 (.15)
Distance of compartment	F	7.5 ± 0.1 (.295)
Distance of compartment to compartment	P_2	2 ± 0.1 (.079)
Distance of compartment to compartment	P_1	12 ± 0.1 (.472)

ABSOLUTE MAXIMUM RATING

(Ta = 25°C)

PARAMETER		SYMBOL	RATING	UNIT
INPUT	Forward Current	I _F	25	mA
	Reverse Voltage	V _R	5	V
	Power Dissipation	P	35	mW
OUTPUT	Supply Voltage	V _{CC}	-0.5 ~ +30	V
	Output Voltage	V _O	-0.5 ~ +20	V
	Emitter-base Reverse Voltage	V _{EBR}	0.5	V
	Average Output Current	I _O	8	mA
	Power Dissipation	P _O	100	mW
1	Isolation Voltage	V _{iso}	5000	V _{rms}
	Operating Temperature	T _{opr}	-40 ~ +100	°C
	Storage Temperature	T _{stg}	-55 ~ +125	°C
2	Soldering Temperature	T _{sol}	260	°C

Notes:

1. AC For 1 Minute, R.H. = 40 ~ 60%

Isolation voltage shall be measured using the following method.

- (1) Short between anode and cathode on the primary side and between collector and emitter on the secondary side.
- (2) The isolation voltage tester with zero-cross circuit shall be used.
- (3) The waveform of applied voltage shall be a sine wave.

2. For 10 Seconds

ELECTRICAL - OPTICAL CHARACTERISTICS

(T_A = 25°C, unless otherwise specified)

PARAMETER		SYMBOL	MIN.	TYP.	MAX.	UNIT	CONDITIONS
	Input Forward Voltage	V _F	—	1.45	1.7	V	Ta=25°C, IF=1.6mA
	Input Forward Voltage Temperature Coefficient	ΔV _F / ΔTa	—	-1.6	—	mV/°C	IF=16mA
	Input Reverse Voltage	BV _R	5.0	—	—	V	Ta=25°C, IR=10 μA
3	Current Transfer Ratio	6N135	7	—	50	%	IF=16mA, Vo=0.4V, VCC=4.5V
		6N136	19	—	50		
	Logic Low (0) Output Voltage	6N135	V _{OL}	—	—	0.4	IF=16mA, I _O =1.1mA, VCC=4.5V
					—	0.5	IF=16mA, I _O =0.8mA, VCC=4.5V
					—	0.4	IF=16mA, I _O =3mA, VCC=4.5V
	Logic High (1) Output Current		I _{OH}	—	—	0.5	IF=0, VCC=Vo=5.5V, T _A = 25°C
					—	1	IF=0, VCC=Vo=15V, T _A = 25°C
					—	50	IF=0, VCC=Vo=15V
4	Logic Low (0) Supply Current	I _{CCL}	—	—	200	uA	IF=16mA, VCC=15V, Vo=open
4	Logic High (1) Supply Current	I _{CCH}	—	—	1	μA	IF=0, VCC=15V, Vo= open, T _A = 25°C
					2		IF=0, VCC=15V, Vo= open

** All typical at T_A = 25°C

SWITCHING SPECIFICATIONS (AC)

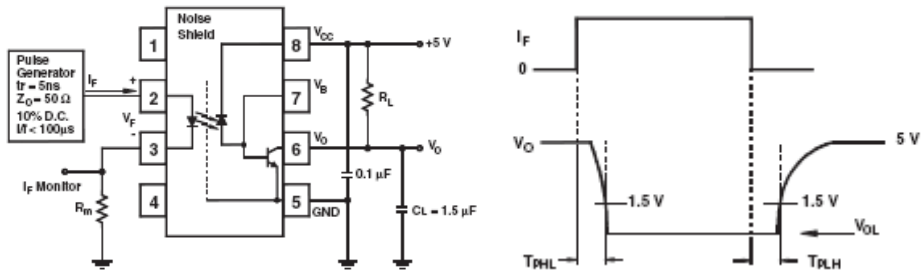
($T_A = 0\sim 70^{\circ}\text{C}$, $V_{CC} = 5\text{V}$, unless otherwise specified)

PARAMETER	SYM.	MIN.	TYP.	MAX.		UNIT	CONDITIONS
				$T_A=25^{\circ}\text{C}$			
4 Propagation Delay time to Logic Low Output (1)→(0)	t_{PHL}	—	—	1.5		μs	IF = 16mA, RL = 4.1kΩ (7)
					2		
				0.8			IF = 16mA, RL = 1.9kΩ (8)
					1.0		
4 Propagation Delay time to Logic High Output (0)→(1)	t_{PLH}	—	—	1.5		μs	IF = 16mA, RL = 4.1kΩ (7)
					2		
				0.8			IF = 16mA, RL = 1.9kΩ (8)
					1		
5 Instantaneous common mode rejection at high logic output (1)	$ CM_H $	—	1000	—		$\text{V} / \mu\text{s}$	IF=0, $ V_{CM} = 10V_{P-P}$, RL=4.1kΩ RL=1.9kΩ
5 Instantaneous common mode rejection at low logic output (0)	$ CM_L $	—	1000	—		$\text{V} / \mu\text{s}$	IF=16mA $ V_{CM} = 10V_{P-P}$, RL=4.1kΩ RL=1.9kΩ

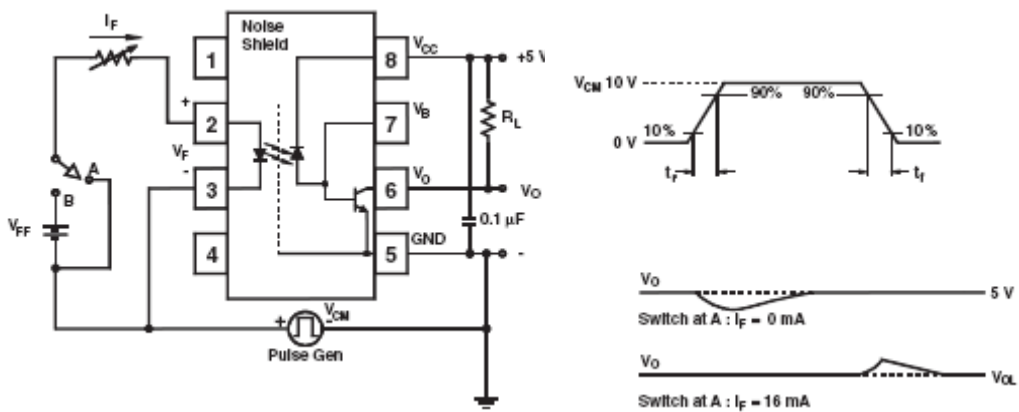
** All typical at $T_A = 25^{\circ}\text{C}$

SWITCHING TEST CIRCUITS (AC)

Switching Time Test Circuit



Common Mode Immunity Test Circuit



ISOLATION CHARACTERISTICS

PARAMETER	SYMBOL	MIN.	TYP.	MAX.	UNIT	CONDITIONS
6 Isolation Resistance (Input-output)	R _{I-O}	—	10 ¹²	—		T _a =25°C , RH<45%, V _{I-O} =500V DC
6 Capacitance (Input-output)	C _{I-O}	—	0.6	—	pF	f=1MHz

** All typical at T_A = 25°C

Notes,

1. AC For 1 Minute, R.H. = 40 ~ 60%

Isolation voltage shall be measured using the following method.

(1) Short between anode and cathode on the primary side and between collector and emitter on the secondary side.

(2) The isolation voltage tester with zero-cross circuit shall be used.

(3) The waveform of applied voltage shall be a sine wave.

2. For 10 Seconds

3. Current Transfer Ratio (CTR) is defined as the ration of output collector current, I_o, to the forward LED input current, I_F, times 100%.

4. Add a 0.1uF bypass capacitor connected between pin5 and pin8 is recommended.

5. Common transient immunity in logic high level is the maximum tolerance (positive) dV_{CM}/dt on the leading edge of the common mode pulse signal, V_{CM}, to assure that the output will remain in a logic high state (i.e., V_O>2.0V). Common mode transient immunity in a logic low level is the maximum tolerance (negative) dV_{CM}/dt on the teailing edge of the common mode pulse signal, V_{CM}, to assure that the output will remain in a logic low state (i.e., V_O<0.8V).

6. Device considered a two terminal device. Pins 1, 2, 3 and 4 shorted together and Pins 5, 6, 7 and 8 shorted together.

7. The 4.1 kΩ load represents 1 LSTTL unit load of 0.36mA and 6.1 kΩ pull up resistor.

8. The 1.9 kΩ load represents 1 TTL unit load of 1.6mA and 5.6 kΩ pull up resistor.

Notes:

- Lite-On is continually improving the quality, reliability, function or design and Lite-On reserves the right to make changes without further notices.
- The products shown in this publication are designed for the general use in electronic applications such as office automation equipment, communications devices, audio / visual equipment, electrical application and instrumentation.
- For equipment/devices where high reliability or safety is required, such as space applications, nuclear power control equipment, medical equipment, etc, please contact our sales representatives.
- When requiring a device for any "specific" application, please contact our sales in advance.
- If there are any questions about the contents of this publication, please contact us at your convenience.
- The contents described herein are subject to change without prior notice.
- Do not immerse unit's body in solder paste.